



UE
United Engineers



Introduction

Introduction:

United Engineers is a fast growing company . we started our business in 1988 as a solution provider for sheet metal fabrication , perforation and molds.

Our goal is to reach the customer's satisfaction through friendly procedure, reasonable prices and time .

We have multiple cnc machines which help us reach our goal with extra precision and quality with minimum production time.

United Engineers is constantly evolving in response to changing conditions to maintain our position as one of the field leaders .

Our company manufactures products like cable trays with accessories and storage stands with several designs to gyarantee the best utilization of space.

Cable tray wiring system offers significant advantages over conduit pipe and other wiring systems .it's less expensive,more reliable,more adaptable to changing needs and easier to maintain.in additionn,it's design doesn't contripute to potential safety proplems associated with other wiring systems.

Cable tray systems including trays,supports,fitting and other material are generally much less expensive than conduit wiring systems.in addition,major cost savings are generated by the relative ease of installation.

Labor costs of installing a cable tray system can run up to 50 percent less.

Totale cost saving will vary according to the complexity and size of the installation.

Hot dip galvanized :

Hot dipped galvanized after fabrication ASTMA 123 / DIN50976 are suitable for outdoor purposes that sustained hard conditions because it dipped in liquid zinc after manufacturing, so it reaches all the edges and all the welded places, that leads to anticorrosion material that is suitable for all

Electrostatic Painting:

As customer request we provide any electrostatic color requested, That's keeping up with decoration requirement, also electrostatic gives the advantage of anticorrosion that is suitable for different environment.

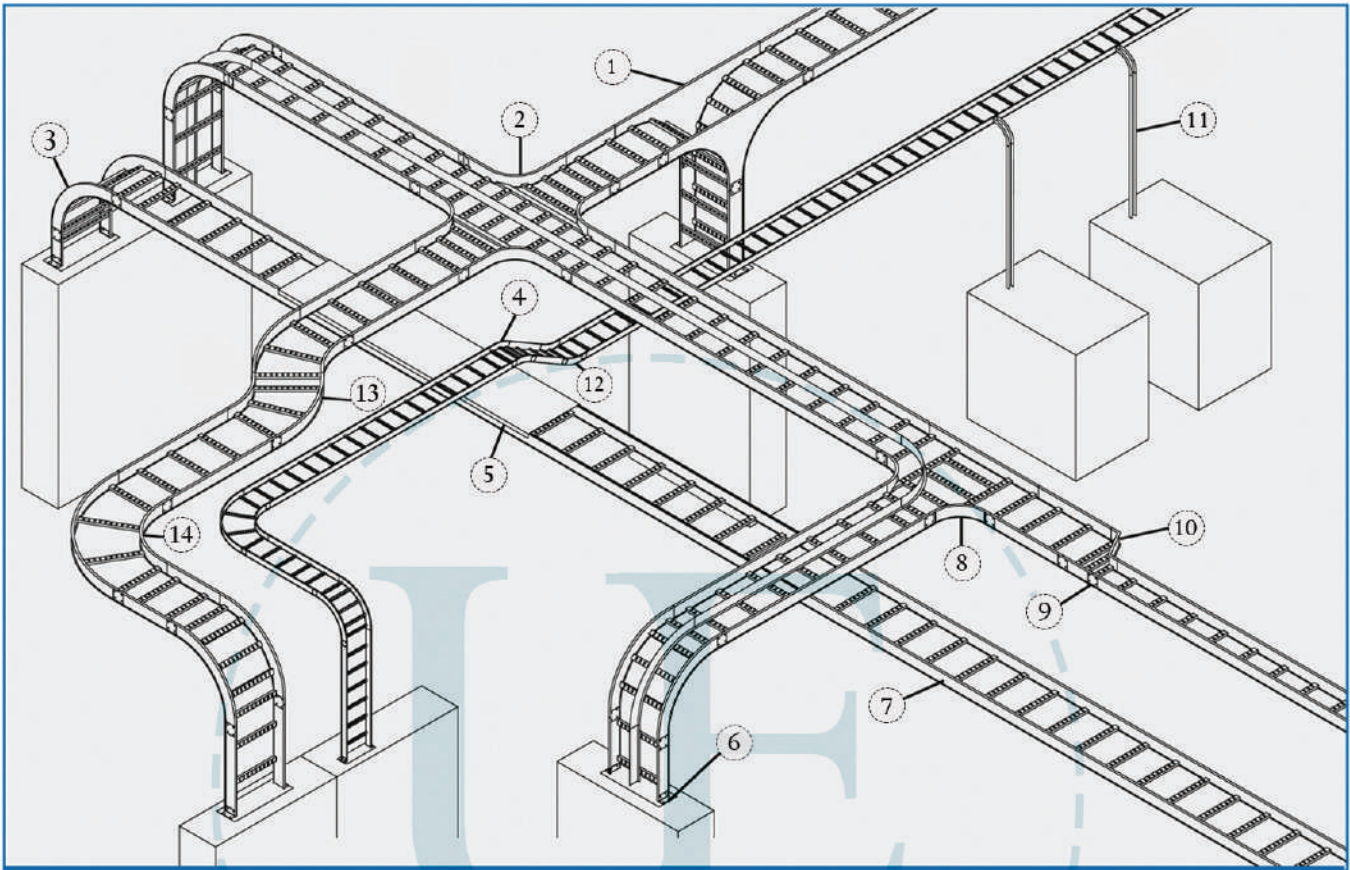
Stainless steel :

Stainless steel trays are provided on demand, it serves food industry and pharmaceutical environments, we manufacture all types of stainless steel (201,304,316) on demand.

Aluminum:

Aluminum cable trays are a light weight and easier installation.

Sample Plant Layout



- | | |
|----|--------------------------------|
| 1 | Vertical Tee Up/Down |
| 2 | Horizontal Cross |
| 3 | 90° Vertical Outside Bend |
| 4 | 45° Vertical Outside Bend |
| 5 | Solid Flanged Cover |
| 6 | Box Connector |
| 7 | Ladder Tray |
| 8 | Horizontal Tee |
| 9 | Splice Plate |
| 10 | Reducer |
| 11 | Cable Channel |
| 12 | 45° Vertical Inside Bend |
| 13 | 45° Horizontal Bend Connection |
| 14 | 90° Horizontal Bend Connection |

APPLICATIONS

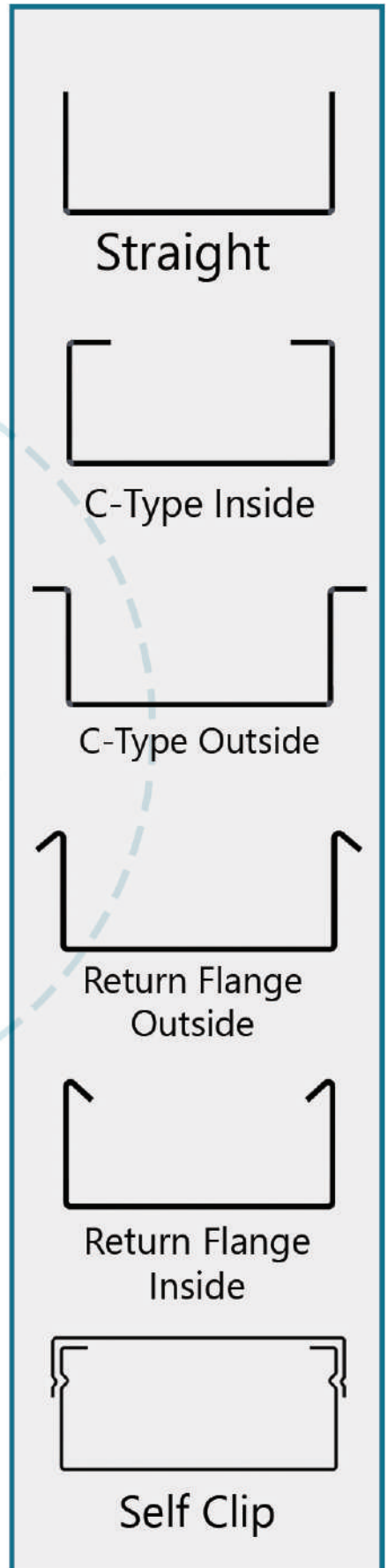
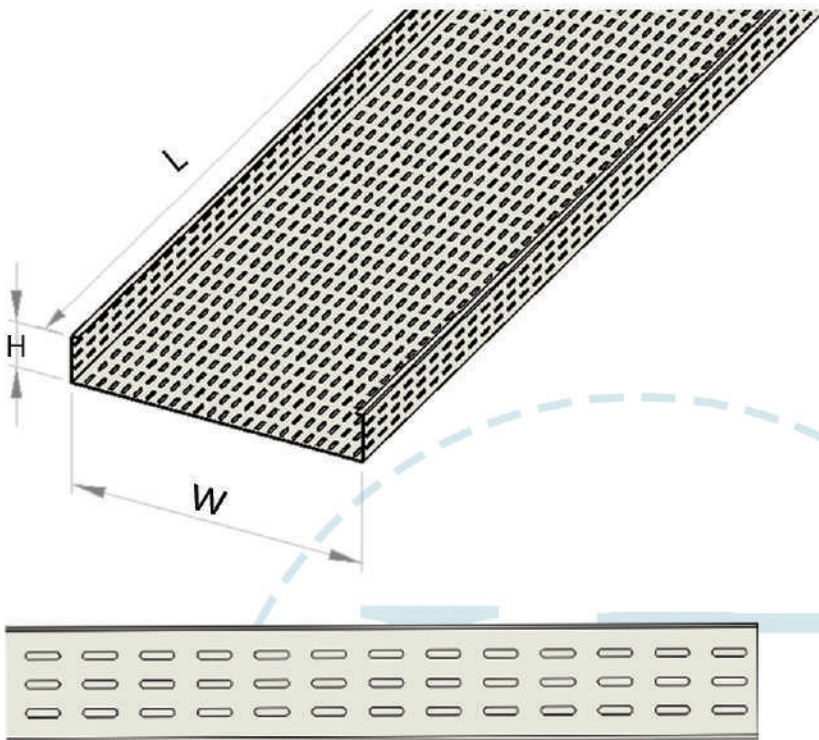
COMMERCIAL

Schools
Hospitals
Office Buildings
Airports
Casinos
Stadiums

INDUSTRIAL

Petro-Chemical Plants
Automotive Plants
Paper Plants
Food Processing
Power Plants
Refineries
Manufacturing
Mining

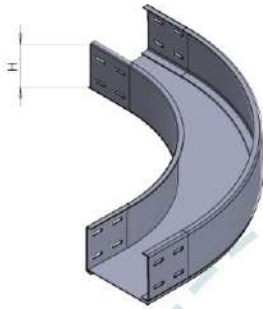
Perforated Cable Tray



Width (mm) W	Thickness (mm) t	Height (H) H	Length (mm) L
100			
200	0.5		
300	0.7	50	
400	0.8	75	2000
500	1	100	2500
600	1.25	150	3000
700	1.5		
800	2		
1000			

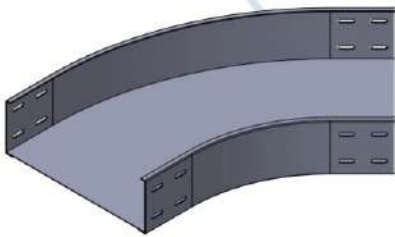
Perforated Cable Tray

Horizontal Bend 90°



Width (mm)	Thickness t	height h	radius R	Cover on request
100				
200				
300	1	50	300	
400	1.25	75		
500	1.5	100	600	
600	2	150		
700			900	
800				
1000				

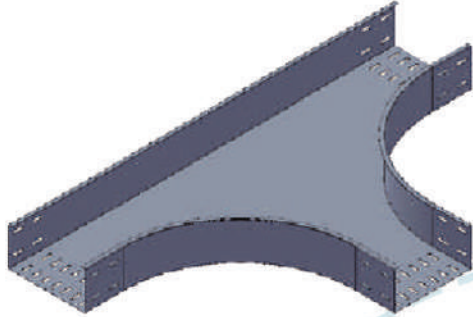
Horizontal Bend 45°



Width (mm)	Thickness t	height h	radius R	Cover on request
100				
200				
300	1	50	300	
400	1.25	75		
500	1.5	100	600	
600	2	150		
700			900	
800				
1000				

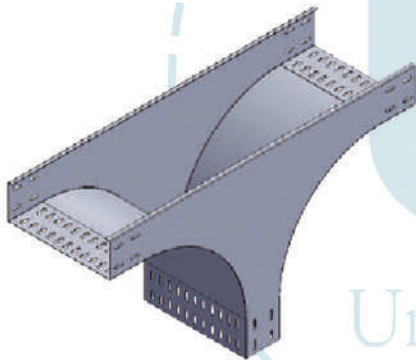
perforated Tray

Horizontal Tee



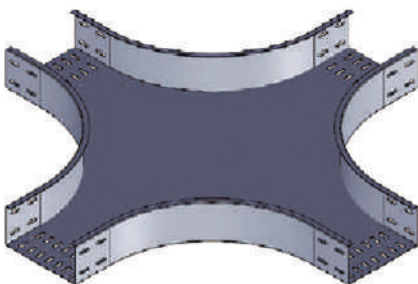
Width (mm)	Thickness t	height h	radius R	Cover on request
100				
200				
300	1	50	300	
400	1.25	75		
500	1.5	100	600	
600	2	150		
700			900	
800				
1000				

Vertical Tee



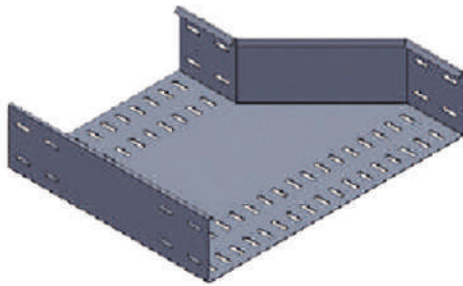
Width (mm)	Thickness t	height h	radius R	Cover on request
100				
200				
300	1	50	300	
400	1.25	75		
500	1.5	100	600	
600	2	150		
700			900	
800				
1000				

Horizontal Cross

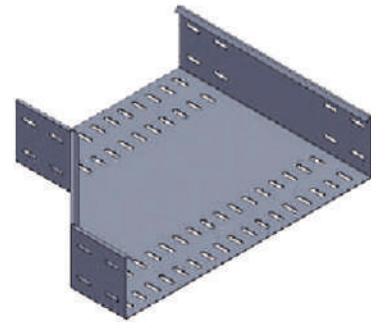


Width (mm)	Thickness t	height h	radius R	Cover on request
100				
200				
300	1	50	300	
400	1.25	75		
500	1.5	100	600	
600	2	150		
700			900	
800				
1000				

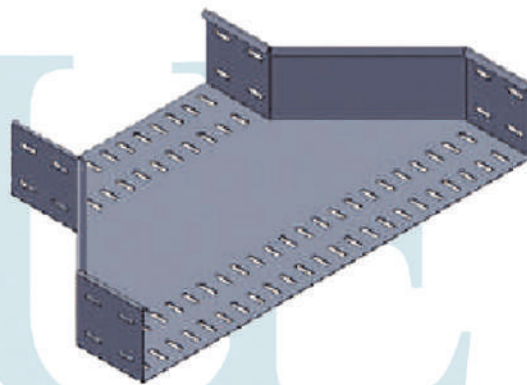
perforated Tray



Left Hand Reducer



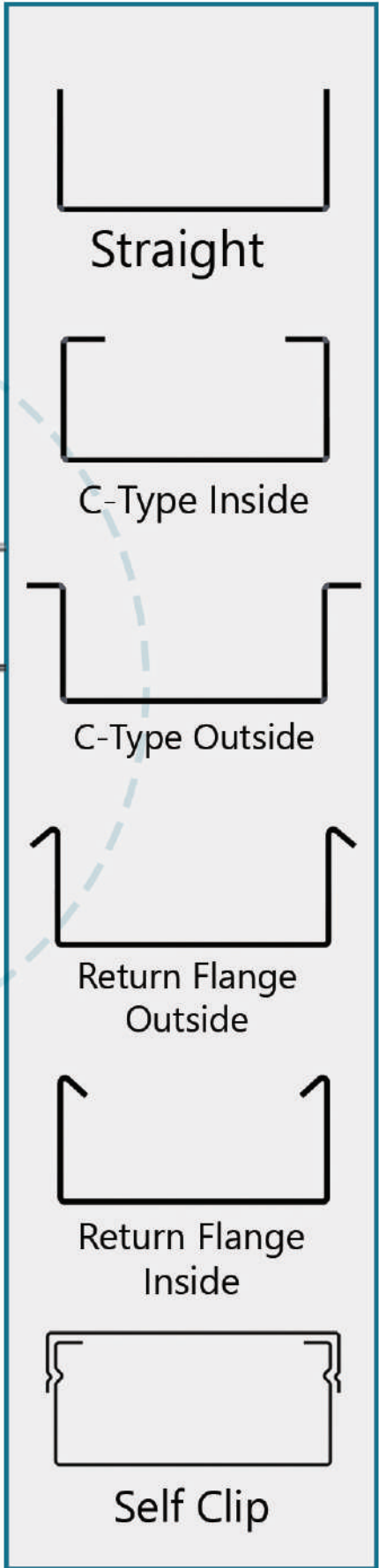
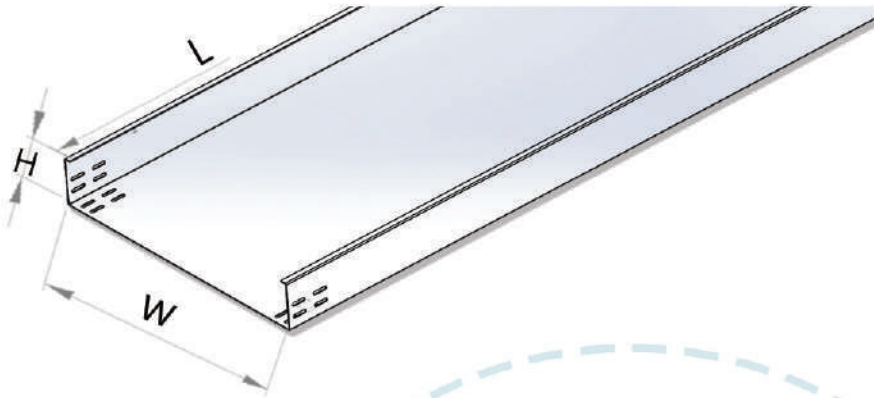
Right Hand Reducer



Center Reducer

Width (mm) w1	Width (mm) w2	Thickness (mm) t	height h	cover on request
100	100			
200	200			
300	300	1	50	
400	400	1.25	75	
500	500	1.5	100	
600	600	2	150	
700	700			
800	800			
1000	1000			

Cable Trunk



Width (mm) W	Thickness (mm) t	Height (H) H	Length (mm) L
100			
200	0.5		
300	0.7	50	
400	0.8	75	2000
500	1	100	2500
600	1.25	150	3000
700	1.5		
800	2		
1000			

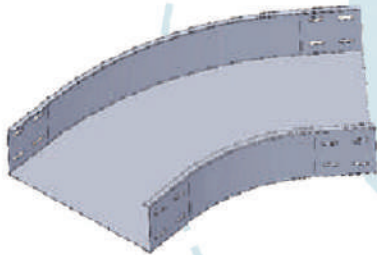
Cable Trunk

Horizontal Elbow 90°



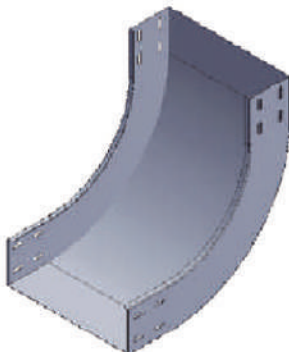
Width (mm)	Thickness t	height h	radius R	Cover on request
100				
200				
300	1	50	300	
400	1.25	75		
500	1.5	100	600	
600	2	150		
700			900	
800				
1000				

Horizontal Elbow 45°



Width (mm)	Thickness t	height h	radius R	Cover on request
100				
200				
300	1	50	300	
400	1.25	75		
500	1.5	100	600	
600	2	150		
700			900	
800				
1000				

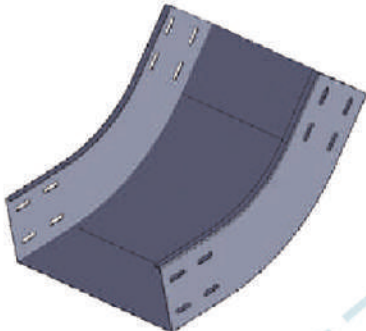
Vertical Inside Elbow 90°



Width (mm)	Thickness t	height h	radius R	Cover on request
100				
200				
300	1	50	300	
400	1.25	75		
500	1.5	100	600	
600	2	150		
700			900	
800				
1000				

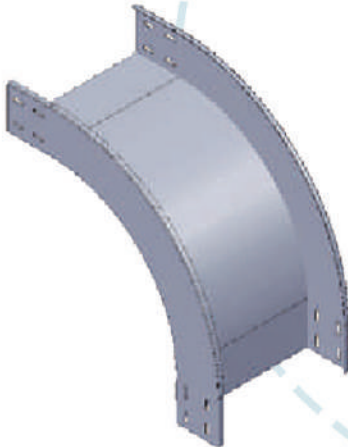
Cable Trunk

Vertical Inside Elbow 45°



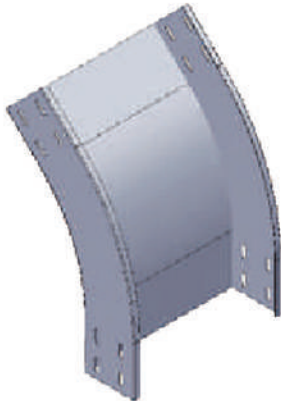
Width (mm)	Thickness t	height h	radius R	Cover on request
100				
200				
300	1	50	300	
400	1.25	75		
500	1.5	100	600	
600	2	150		
700			900	
800				
1000				

Vertical Outside Elbow 90°



Width (mm)	Thickness t	height h	radius R	Cover on request
100				
200				
300	1	50	300	
400	1.25	75		
500	1.5	100	600	
600	2	150		
700			900	
800				
1000				

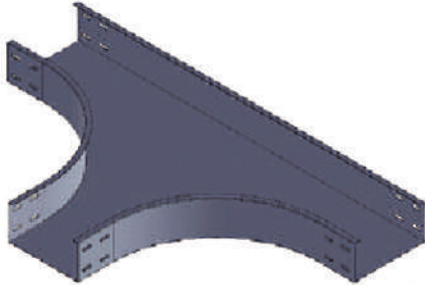
Vertical Outside Elbow 45°



Width (mm)	Thickness t	height h	radius R	Cover on request
100				
200				
300	1	50	300	
400	1.25	75		
500	1.5	100	600	
600	2	150		
700			900	
800				
1000				

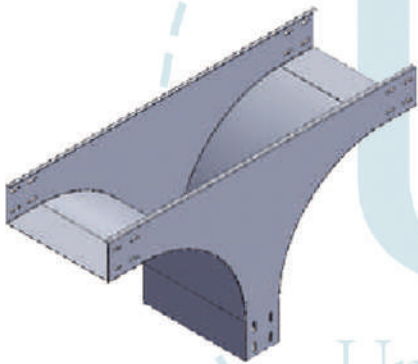
Cable Trunk

Horizontal Tee



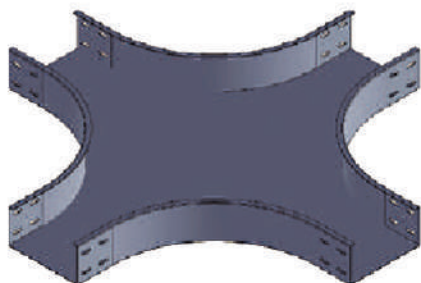
Width (mm)	Thickness t	height h	radius R	Cover on request
100				
200				
300	1	50	300	
400	1.25	75		
500	1.5	100	600	
600	2	150		
700			900	
800				
1000				

Vertical Tee



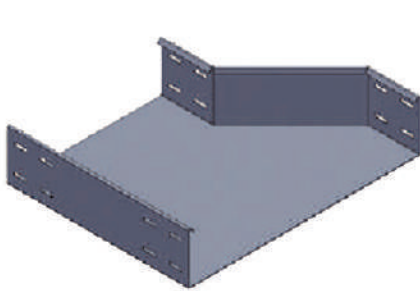
Width (mm)	Thickness t	height h	radius R	Cover on request
100				
200				
300	1	50	300	
400	1.25	75		
500	1.5	100	600	
600	2	150		
700			900	
800				
1000				

Horizontal Cross

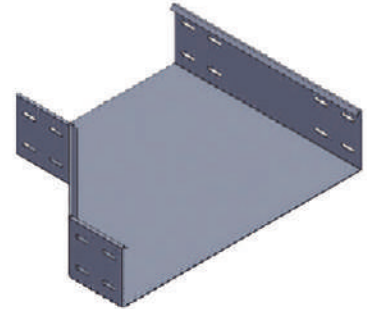


Width (mm)	Thickness t	height h	radius R	Cover on request
100				
200				
300	1	50	300	
400	1.25	75		
500	1.5	100	600	
600	2	150		
700			900	
800				
1000				

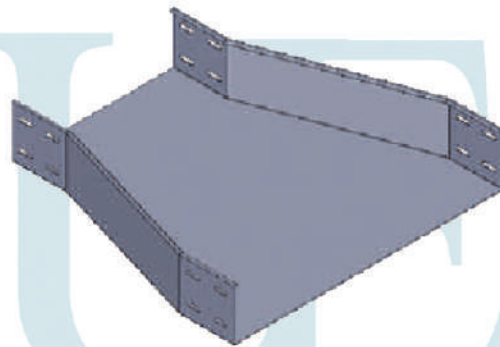
Cable Trunk



Left Hand Reducer



Right Hand Reducer



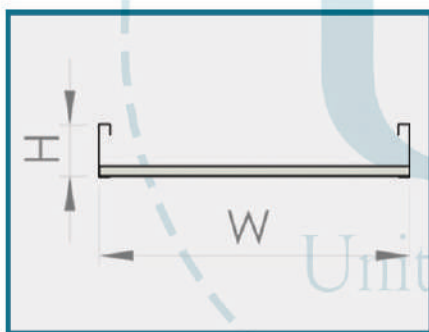
Center Reducer

Width (mm) w1	Width (mm) w2	Thickness (mm) t	height h	cover on request
100	100			
200	200			
300	300	1	50	
400	400	1.25	75	
500	500	1.5	100	
600	600	2	150	
700	700			
800	800			
1000	1000			

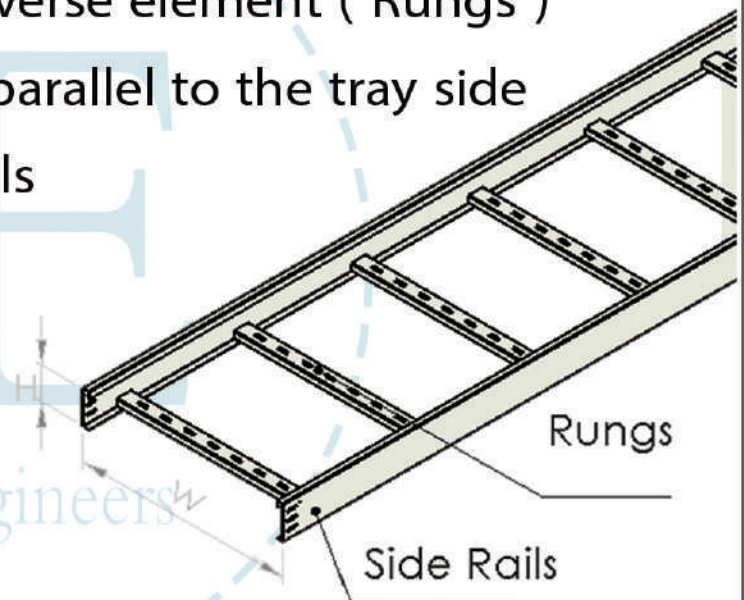
Ladder Cable Tray

cable ladder is a fabricated structure consisting of separate longitudinal rails and a bottom having a sufficient opening for the passage of air and utilizing 75% or less of the plan area to support cables.

The maximum open spacing between cable support surface of transverse element (Rungs) 30 cm in the direction parallel to the tray side



rails



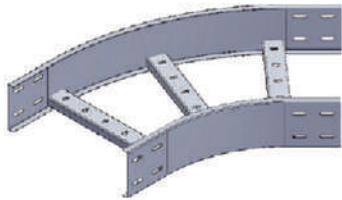
Rungs

Side Rails

Width	Height	Thickness	length	cover
100				on request
200	50		2000	
300	100	1.5 mm	2500	
400	150	2 mm	3000	
500	200			
600				
800				
1000				

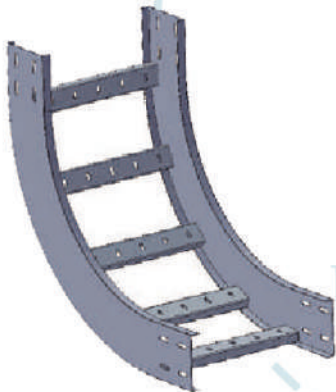
Ladder Cable Tray

Horizontal Elbow 45°



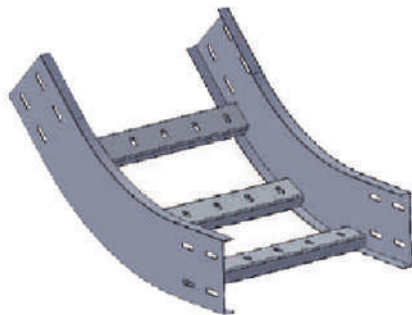
Width	Height	Thickness	Radius	cover
100				on request
200	50		300	
300	100	1.5 mm		
400	150	2 mm	600	
500	200			
600			900	
800				
1000				

Vertical Inside Elbow 90°



Width	Height	Thickness	Radius	cover
100				on request
200	50		300	
300	100	1.5 mm		
400	150	2 mm	600	
500	200			
600			900	
800				
1000				

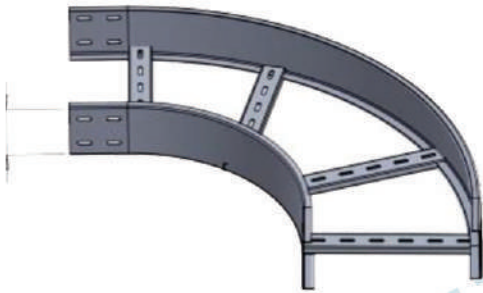
Vertical Inside Elbow 45°



Width	Height	Thickness	Radius	cover
100				on request
200	50		300	
300	100	1.5 mm		
400	150	2 mm	600	
500	200			
600			900	
800				
1000				

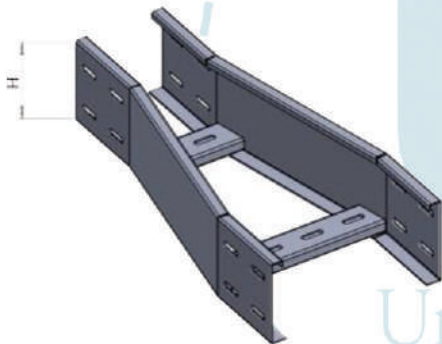
Ladder Cable Tray

Horizontal Bend 90°



Width	Height	Thickness	Radius	cover
100				on request
200	50		300	
300	100	1.5 mm		
400	150	2 mm	600	
500	200			
600			900	
800				
1000				

Reducer

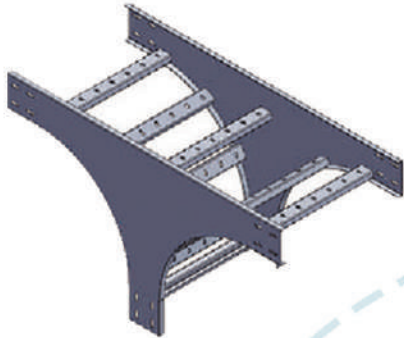


Width 1	Width 2	Height	Thickness	cover
100	100			on request
200	200	50		
300	300	100	1.5 mm	
400	400	150	2 mm	
500	500	200		
600	600			
800	800			
1000	1000			



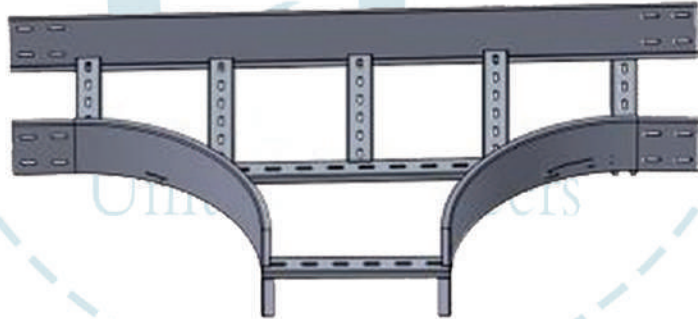
Ladder Cable Tray

Vertical Tee



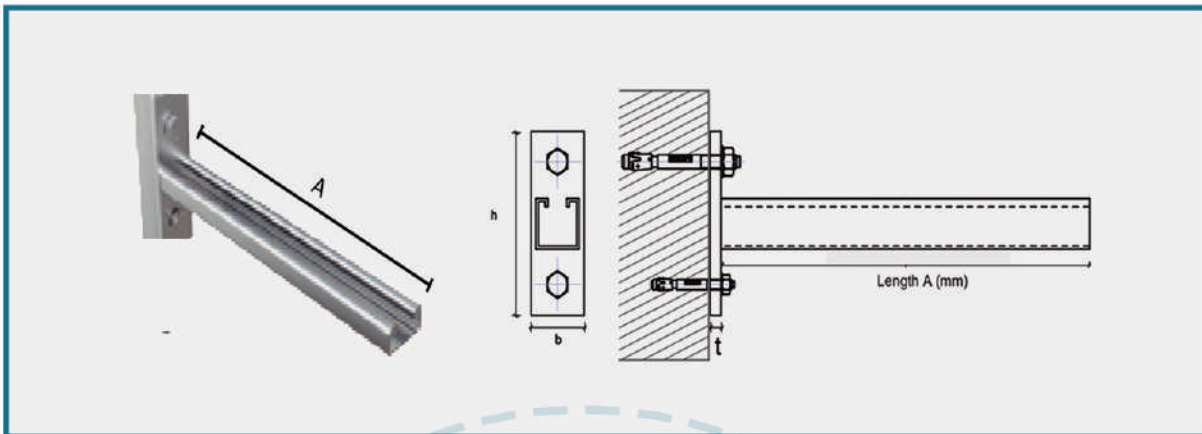
Width	Height	Thickness	Radius	cover
100				on request
200	50		300	
300	100	1.5 mm		
400	150	2 mm	600	
500	200			
600			900	
800				
1000				

Horizontal Tee



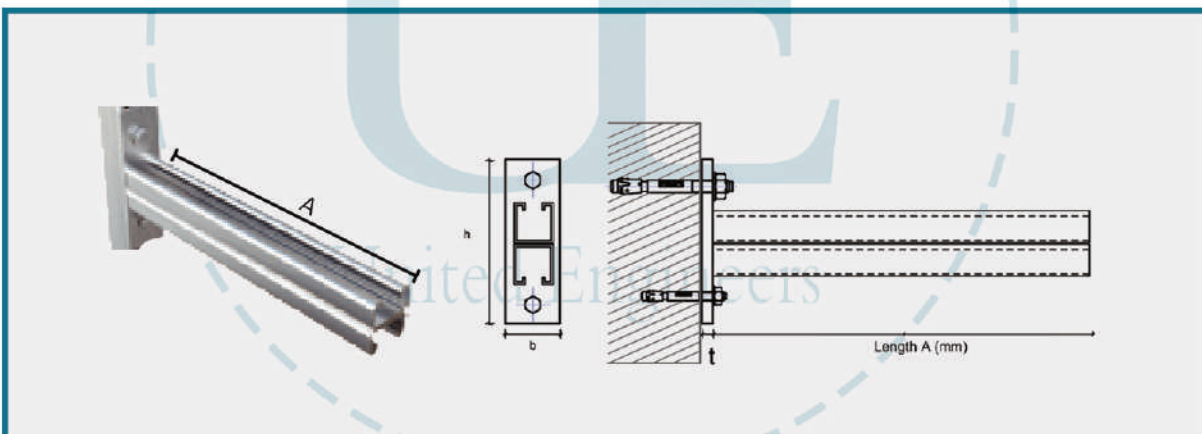
Width	Height	Thickness	Radius	cover
100				on request
200	50		300	
300	100	1.5 mm		
400	150	2 mm	600	
500	200			
600			900	
800				
1000				

Cantilever Arm Bracket



channel length : $A = (100 \text{ to } 1000) \text{ mm}$
channel thickness = 2 , 3 mm

plate size = 200 x 65 mm
plate thickness = 6 , 8 mm



channel length : $A = (100 \text{ to } 1000) \text{ mm}$
channel thickness = 2 , 3 mm

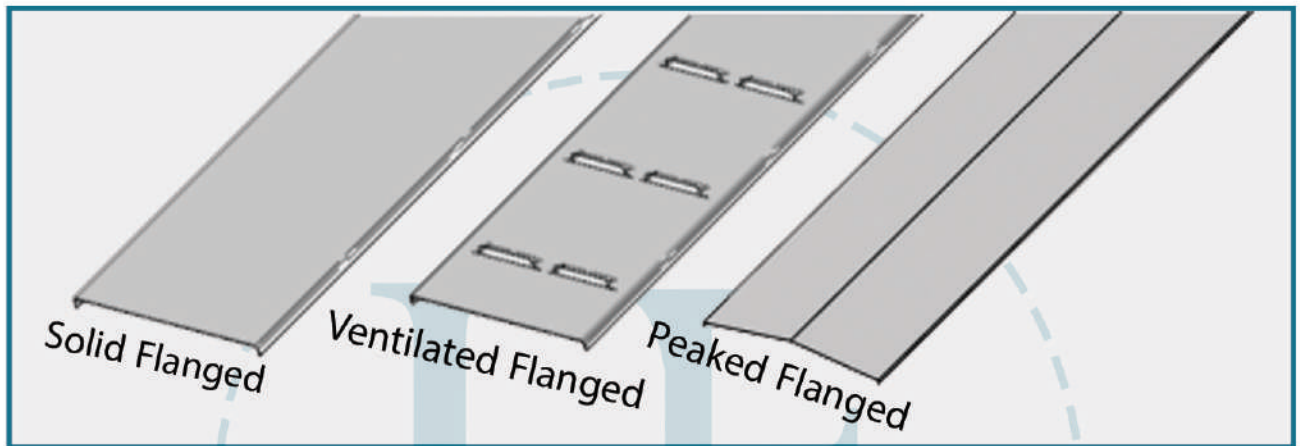
plate size = 400 x 65 mm
plate thickness = 10 , 12 mm

Covers

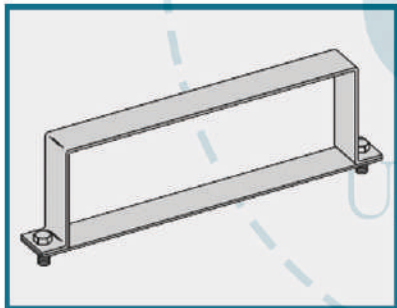
Function:-

cable tray covers shall be considered for any of the following purposes :

- protection from falling objects .
- shielding from ultra-violet rays of the sun and guarding against other weather elements .
- minimizing accumulation of foreign contaminants such as ash or other industrial deposits .

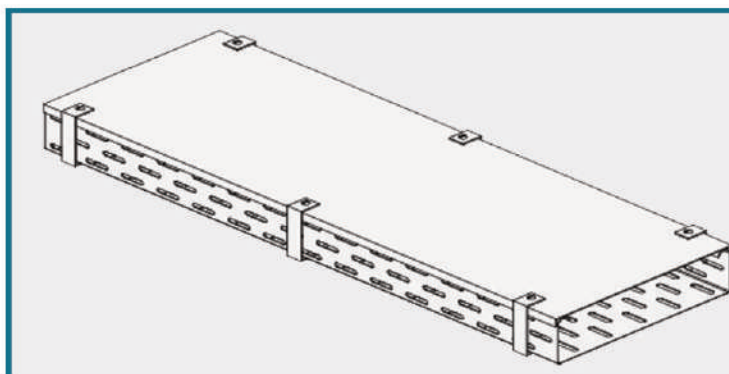
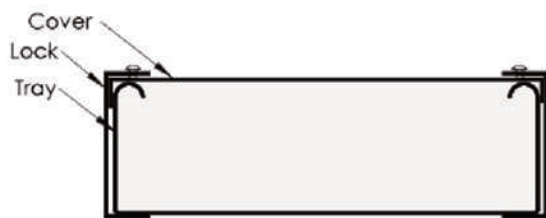


Heavy Duty Cover Clamp :-

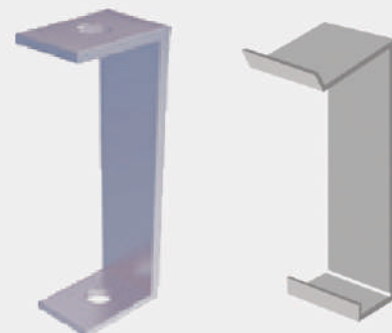


-heavy duty clamp comes with all the cable tray sizes and with thickness from 1.25 mm to 2mm

Cable Tray With Locking Clamp :-



Locking Clamp Spring Down Clamp



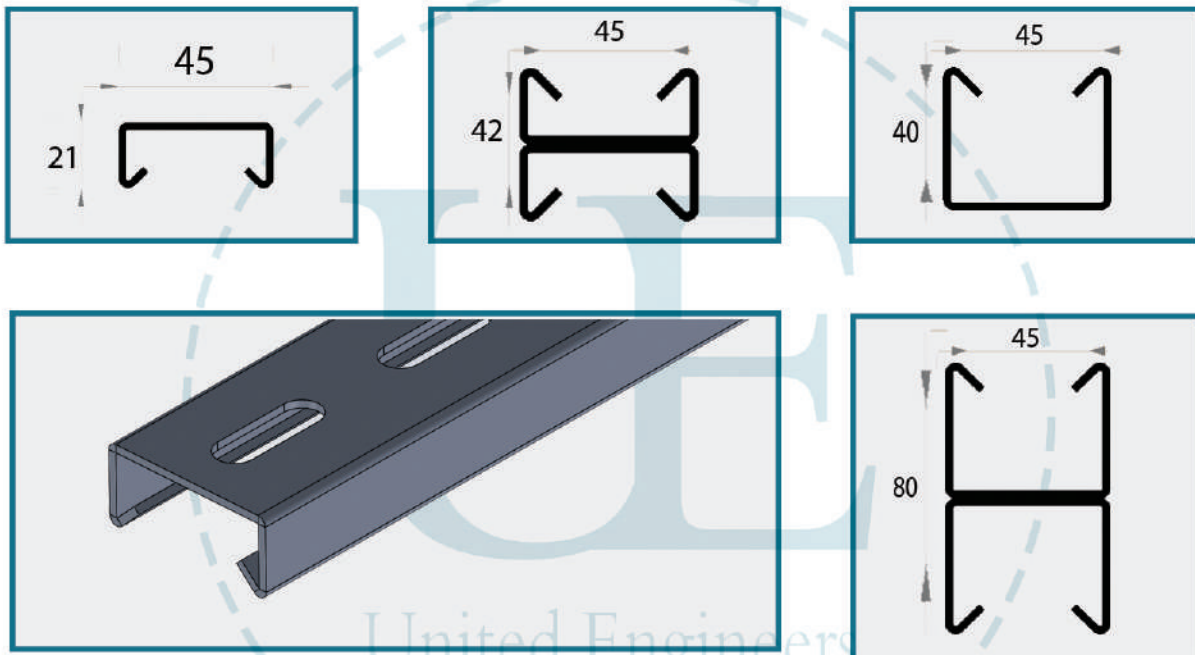
Channeles

LENGTH :

standred lenght : 2000 mm custom length is available on request .

FINISHES:

standred finish is pre-galvanized ,hot dipped galvnized is also avaliabe on request



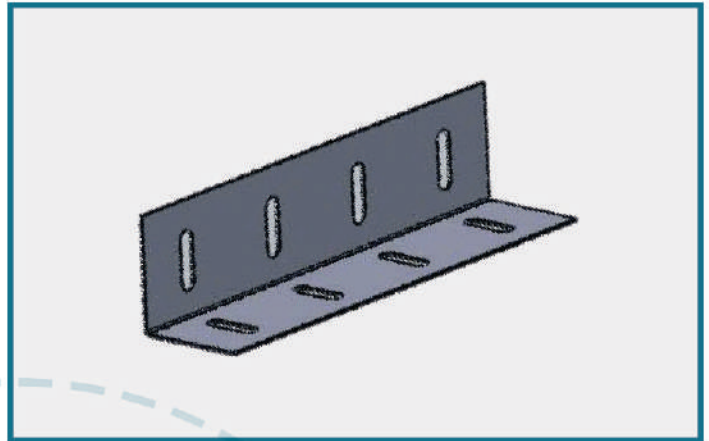
Channel Dimenisons		Thickness
Height "H"	Width "W"	
21	45	2
40	45	2
42	45	3
80	45	3

Accessories

Splice Plate

A	B
50	50
40	40

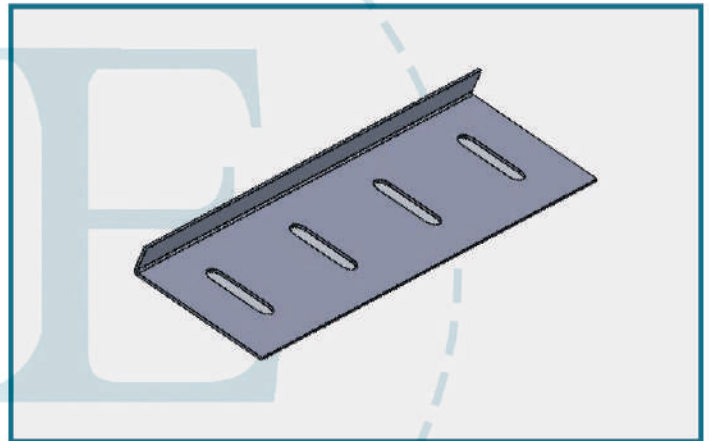
Thickness As Orderr



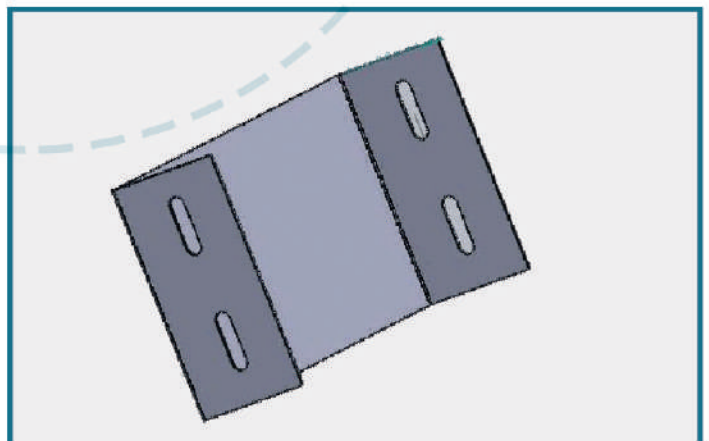
Splice Plate

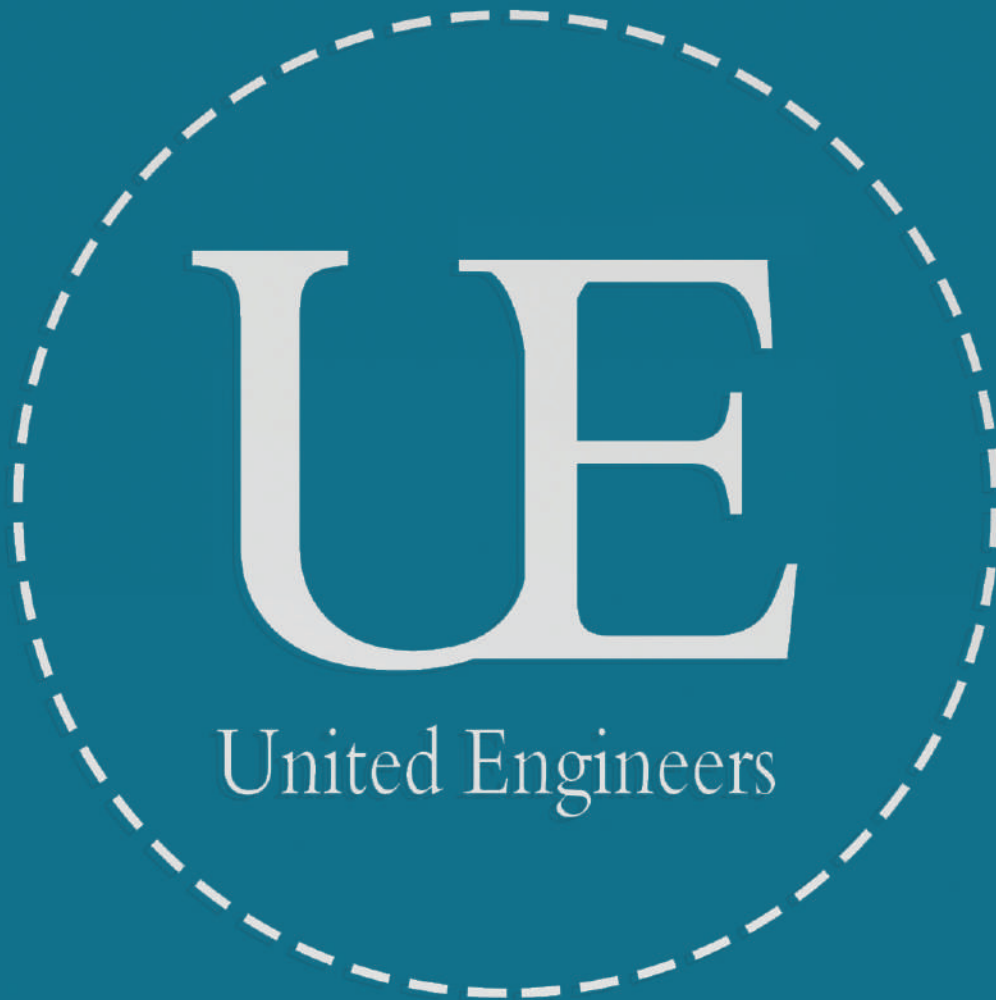
A	B
40	10

Thickness As Orderr



Blind End





HEAD OFFICE : 12 HELAL STREET BRANCHED FROM QOBA STREET
, MASR EL GDEDA , ROXY SQUAR

FIRST BRANCH : OBOUR CITY BLOCK 22005 – PART 8A –
INDSTRIL ZONE BG – BEHIND AWLAD RAGAB MARKET

SECAND BRANCH : QALYOUB CITY –TAREK EL BATEQ PARLLEL TO
ALEXANDRIA AGRICULTURE ROAD – ABO SINA

Email:info@unitedeng.net

Web:unitedengineers.info

Tel:01023438341